



Catalog | June 2014

# Mounted Bearings

**DODGE**<sup>®</sup>

Power and productivity  
for a better world™ **ABB**

# Plummer blocks

## Contents

### Metric-dimensioned housings

#### Features/Benefits

6-2	ISN
6-3	ISN and ISNX nomenclature
6-15	ISNX
6-20	SNX/SDX

#### Selection/Dimensions

##### Selection

6-4	ISN plummer block
6-16	ISNX hydraulic
6-27	SNX

##### Dimensions

6-11	ISN
6-12	ISN bearing inserts
6-13	ISN lockplate kits
6-13	ISN end covers
6-14	ISN spanner wrenches
6-19	ISNX hydraulic
6-23	SNX
6-39	SDX

INDEX-1	Part number index
---------	-------------------

# Plummer blocks

# Plummer blocks

## Features/Benefits

### ISN

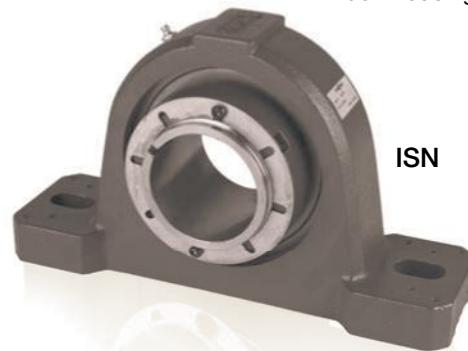
### Shaft ready / Adapter mount / SN dimensions

#### Patented adapter mounting system

- Quick installation and removal
- Clearance setting without feeler gauges
- Full shaft contact reduces or eliminates fretting corrosion
- Locknut tightens the bearing on the shaft when turned clockwise
- Counter-clockwise rotation of the locknut loosens the bearing from the shaft
- 22200 series spherical roller bearing with steel cage and guide ring
- 2-bolt housings are cast iron
- 4-bolt housings are ductile iron

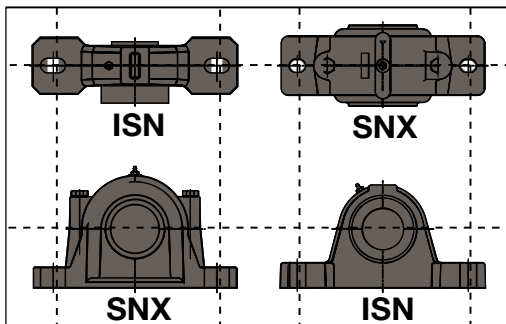
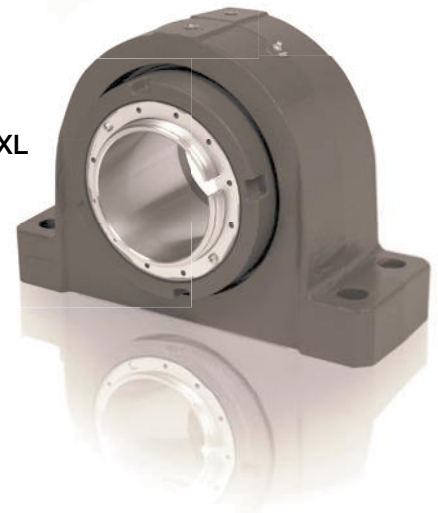


2-bolt housings: 35-140mm  
4-bolt housings: 150-170mm



ISN

ISN-XL

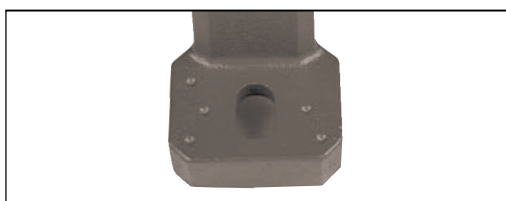


Dimensionally interchangeable with housings of the SN family. Preassembled - no risk of bearing contamination during field assembly or incorrect parts.

Stronger feet for higher load capacity.



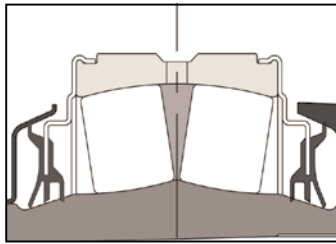
Cast-in drilling location dimples: for dowels or four-bolt mounting.



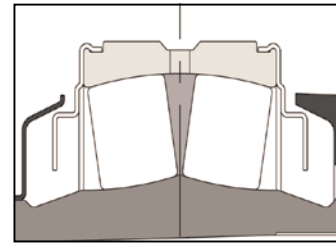
# Plummer blocks

## Features/Benefits

### ISN seal options



**Trident™ seal** - Patented design triple-lip rubbing seal with corrosion resistant flingers; positive seal contact up to  $\pm 1^\circ$  misalignment. Maximum operating temperature is 107°C.



**Labyrinth seal** - Patented design clearance steel seal carrier with corrosion resistant flingers. High speed or temperature applications. Maximum operating temperature is 204°C.

### ISN, ISN-XL and ISNX Hyd bearing nomenclature

**P2B524 - ISN - 110MFR**

**Housing style options:**

- P2B = Plummer block, 2-bolt base, cast iron
- P4B = Plummer block, 4-bolt base, ductile iron

**Housing size:**

- 5xx describes the associated DIN - SN pillow block housing size
- 31XX describes the associate SD 3100 pillow block housing size

**M = Size in millimeters**

**Other data / seals:**

- F = Non expansion
- L = Expansion (non-locating)
- R = Rubber contact seal
- S = Labyrinth seal
- HYD = Integral hydraulic mounting/dismounting

**Bearing type options:**

- ISN = SN style w/imperial locking mechanism
- ISNX = Hydraulic mount/dismount

# Plummer blocks

## Selection

### ISN ratings

Table 1: ISN spherical roller bearings

Housing	Bearings	Maximum allowable adapter thrust	Basic load ratings			e	FA/FR ≤ e		FA/FR > e		Max. RPM ★		Maximum expansion
			Dynamic capacity (C)	Static capacity (C0)	X1		Y1	X2	Y2	Trident seal	Labyrinth seal		
												kN (lb)	
507	<b>22208</b>	2,7 (607)	93 (20907)	94 (21132)	0,28	1,0	2,4	0,67	3,6	3975	6000	3,18	
508	<b>22208</b>	2,7 (607)	93 (20907)	94 (21132)	0,28	1,0	2,4	0,67	3,6	3975	6000	3,18	
509	<b>22209</b>	3,1 (697)	93 (20907)	105 (23605)	0,26	1,0	2,6	0,67	3,9	3725	5600	3,18	
510	<b>22210</b>	3,4 (764)	98 (22031)	118 (26528)	0,24	1,0	2,8	0,67	4,2	3520	5300	6,35	
511	<b>22210</b>	3,4 (764)	98 (22031)	118 (26528)	0,24	1,0	2,8	0,67	4,2	3520	5300	6,35	
512	<b>22211</b>	4,1 (922)	120 (26977)	145 (32597)	0,23	1,0	2,9	0,67	4,3	3000	4500	6,35	
513	<b>22213</b>	6 (1349)	174 (39117)	216 (48559)	0,24	1,0	2,8	0,67	4,2	2400	3800	6,35	
515	<b>22215</b>	7 (1574)	185 (41590)	236 (53055)	0,22	1,0	3,1	0,67	4,6	2250	3400	6,35	
516	<b>22215</b>	7 (1574)	185 (41590)	236 (53055)	0,22	1,0	3,1	0,67	4,6	2250	3400	6,35	
517	<b>22215</b>	7 (1574)	185 (41590)	236 (53055)	0,22	1,0	3,1	0,67	4,6	2250	3400	6,35	
518	<b>22218</b>	10,8 (2428)	285 (64071)	363 (81606)	0,23	1,0	2,9	0,67	4,3	1825	2600	6,35	
519	<b>22218</b>	10,8 (2428)	285 (64071)	363 (81606)	0,23	1,0	2,9	0,67	4,3	1825	2600	6,35	
520	<b>22220</b>	13,8 (3102)	369 (82955)	463 (104087)	0,24	1,0	2,8	0,67	4,2	1530	2200	7,94	
522	<b>22220</b>	13,8 (3102)	369 (82955)	463 (104087)	0,24	1,0	2,8	0,67	4,2	1530	2200	7,94	
524	<b>22222</b>	17,5 (3934)	463 (104087)	587 (131963)	0,25	1,0	2,7	0,67	4,0	1325	2000	9,53	
526	<b>22226</b>	25 (5620)	650 (146127)	872 (196034)	0,26	1,0	2,6	0,67	4,0	1175	1800	9,53	
528	<b>22226</b>	25 (5620)	650 (146127)	872 (196034)	0,26	1,0	2,6	0,67	4,0	1175	1800	9,53	
530	<b>22228</b>	28,5 (6407)	738 (165910)	1050 (236051)	0,25	1,0	2,7	0,67	4,0	1100	1700	9,53	
532	<b>22232</b>	38,4 (8633)	979 (220089)	1401 (314959)	0,26	1,0	2,6	0,68	3,9	975	1500	9,53	
3134	<b>22232</b>	38,4 (8633)	979 (220089)	1401 (314959)	0,26	1,0	2,6	0,68	3,9	975	1500	9,53	
3136	<b>22236</b>	46,4 (10431)	1157 (260105)	1668 (374983)	0,25	1,0	2,7	0,67	4,0	845	1300	9,53	
3138	<b>22236</b>	46,4 (10431)	1157 (260105)	1668 (374983)	0,25	1,0	2,7	0,67	4,0	845	1300	9,53	

Refer to pages B10-1 and B10-2 for information on bearing calculations, including L<sub>10</sub> life and loads

★Maximum grease speed is dependant on load and ambient conditions. Contact your local ABB office for assistance.







# Plummer blocks

## Selection

### ISN easy selection

Table 2: ISN double row spherical roller bearing (continued)

Housing Life Hours	L <sub>10</sub>	Allowable equivalent radial load rating kN (lb) at various RPM																						
		50	100	150	250	500	750	1000	1300	1500	1700	1800	2000	2200	2600	2750	3000	3400	3800	4500	5300	5600	6000	
522	10000	133 (29900)	108 (24279)	96 (21582)	82 (18434)	67 (15062)	59 (13264)	54 (12140)	50 (11241)	35 (7868)	46 (10341)	45 (10116)	44 (9892)	43 (9667)										
	30000	96 (21582)	78 (17535)	69 (15512)	59 (13264)	48 (10791)	43 (9667)	39 (8768)	36 (8093)	35 (7868)	33 (7419)	33 (7419)	32 (7194)	31 (6969)										
	40000	88 (19783)	71 (15962)	63 (14163)	54 (12140)	44 (9892)	39 (8768)	36 (8093)	33 (7419)	32 (7194)	31 (6969)	30 (6744)	29 (6519)	28 (6295)										
	60000	78 (17535)	63 (14163)	56 (12589)	48 (10791)	39 (8768)	35 (7868)	32 (7194)	29 (6519)	28 (6295)	27 (6070)	27 (6070)	26 (5845)	25 (5620)										
	100000	67 (15062)	54 (12140)	48 (10791)	41 (9217)	33 (7419)	30 (6744)	27 (6070)	25 (5620)	24 (5395)	23 (5171)	23 (5171)	22 (4946)	21 (4721)										
524	10000	167 (37543)	135 (30349)	120 (26977)	103 (23155)	84 (18884)	74 (16636)	68 (15287)	65 (14416)	45 (10116)	60 (13489)	58 (13039)	57 (12814)	55 (12365)										
	30000	120 (26977)	97 (21807)	86 (19334)	74 (16636)	60 (13489)	53 (11915)	49 (11016)	45 (10116)	43 (9667)	43 (9442)	42 (9217)	41 (8992)	40										
	40000	110 (24729)	89 (20008)	79 (17760)	68 (15287)	55 (12365)	49 (11016)	45 (10116)	41 (9217)	40 (8992)	38 (8543)	38 (8543)	36 (8093)											
	60000	97 (21807)	79 (17760)	70 (15737)	60 (13489)	49 (11016)	43 (9667)	40 (8992)	37 (8318)	35 (7868)	34 (7644)	34 (7419)	33 (7194)	32										
	100000	84 (18884)	68 (15287)	60 (13489)	52 (11690)	42 (9442)	37 (8318)	34 (7644)	31 (6969)	30 (6744)	29 (6519)	29 (6519)	28 (6295)											
526	10000	234 (52606)	190 (42714)	168 (37768)	144 (32373)	117 (26303)	104 (23380)	69 (15512)	88 (19783)	84 (18884)	81 (18210)	80 (17985)												
	30000	168 (37768)	137 (30799)	121 (27202)	104 (23380)	84 (18884)	75 (16861)	69 (15512)	63 (14163)	61 (13713)	59 (13264)	58 (13039)												
	40000	154 (34621)	125 (28101)	111 (24954)	95 (21357)	77 (17310)	69 (15512)	63 (14163)	58 (13039)	56 (12589)	54 (12140)	53 (11915)												
	60000	137 (30799)	111 (24954)	98 (22031)	84 (18884)	69 (15512)	61 (13713)	56 (12589)	52 (11690)	49 (11016)	48 (10791)	47 (10566)												
	100000	117 (26303)	95 (21357)	84 (18884)	72 (16186)	59 (13264)	52 (11690)	48 (10791)	44 (9892)	42 (9442)	41 (9217)	40 (8992)												
528	10000	234 (52606)	190 (42714)	168 (37768)	144 (32373)	117 (26303)	104 (23380)	69 (15512)	88 (19783)	84 (18884)	81 (18210)	80 (17985)												
	30000	168 (37768)	137 (30799)	121 (27202)	104 (23380)	84 (18884)	75 (16861)	69 (15512)	63 (14163)	61 (13713)	59 (13264)	58 (13039)												
	40000	154 (34621)	125 (28101)	111 (24954)	95 (21357)	77 (17310)	69 (15512)	63 (14163)	58 (13039)	56 (12589)	54 (12140)	53 (11915)												
	60000	137 (30799)	111 (24954)	98 (22031)	84 (18884)	69 (15512)	61 (13713)	56 (12589)	52 (11690)	49 (11016)	48 (10791)	47 (10566)												
	100000	117 (26303)	95 (21357)	84 (18884)	72 (16186)	59 (13264)	52 (11690)	48 (10791)	44 (9892)	42 (9442)	41 (9217)	40 (8992)												
530	10000	266 (59799)	216 (48559)	191 (42939)	164 (36869)	133 (29900)	118 (26528)	78 (17535)	100 (22481)	96 (21582)	92 (20683)													
	30000	191 (42939)	155 (34846)	138 (31024)	118 (26528)	96 (21582)	85 (19109)	78 (17535)	72 (16186)	69 (15512)	66 (14837)													
	40000	176 (39567)	143 (32148)	126 (28326)	108 (24279)	88 (19783)	78 (17535)	71 (15962)	66 (14837)	63 (14163)	61 (13713)													
	60000	155 (34846)	126 (28326)	112 (25179)	96 (21582)	78 (17535)	69 (15512)	63 (14163)	59 (13264)	56 (12589)	54 (12140)													
	100000	133 (29900)	108 (24279)	96 (21582)	82 (18434)	67 (15062)	59 (13264)	54 (12140)	50 (11241)	48 (10791)	46 (10341)													
532/ 3134	10000	353 (79358)	287 (64520)	254 (57102)	218 (49009)	177 (39791)	113 (25404)	144 (32373)	133 (29900)	127 (28551)														
	30000	254 (57102)	206 (46311)	182 (40915)	157 (35295)	127 (28551)	113 (25404)	103 (23155)	95 (21357)	91 (20458)														
	40000	233 (52381)	189 (42489)	167 (37543)	144 (32373)	117 (26303)	103 (23155)	95 (21357)	88 (19783)	84 (18884)														
	60000	206 (46311)	167 (37543)	148 (33272)	127 (28551)	103 (23155)	91 (20458)	84 (18884)	78 (17535)	74 (16636)														
	100000	177 (39791)	144 (32373)	127 (28551)	109 (24504)	89 (20008)	78 (17535)	72 (16186)	67 (15062)	64 (14388)														
3136/ 3138	10000	417 (93746)	339 (76211)	300 (67443)	257 (57776)	209 (46985)	133 (29900)	170 (38218)	157 (35295)															
	30000	300 (67443)	244 (54854)	216 (48559)	185 (41590)	150 (33722)	133 (29900)	122 (27427)	113 (25404)															
	40000	275 (61823)	223 (50133)	198 (44512)	170 (38218)	138 (31024)	122 (27427)	112 (25179)	103 (23155)															
	60000	244 (54854)	198 (44512)	175 (39342)	150 (33722)	122 (27427)	108 (24279)	99 (22256)	92 (20683)															
	100000	209 (46985)	170 (38218)	150 (33722)	129 (29000)	105 (23605)	93 (20907)	85 (19109)	79 (17760)															

Use the labyrinth (S) seal for applications to the right of the vertical line.  
 For applications in the dark shaded areas, the maximum load for the specific speed is shown. The load does not correspond to the L10 shown.  
 Applications in the light shaded areas may require high temperature lubrication. Please consult Dodge engineering.

# Plummer blocks

## Selection

### Imperial - ISN spherical roller bearings

**Table 4: Definition of operating conditions for unitized spherical roller bearings**

Low speed	Up to 20% of max. RPM (Table 1)
Medium speed	Over 20% to 80% of max. RPM
High speed	Over 80% of max. RPM
Light load	Up to 8% of <b>C</b> (Table 1)
Normal load	Over 8% to 18% of <b>C</b>
Heavy load	Over 18% of <b>C</b>
<b>C</b> - Dynamic capacity	
Low temperature	-73°C to -7°C
Medium temperature	Over -7°C to 93°C
High temperature	Over 93°C to 122°C

Shaft tolerances	
Normal shaft sizes (mm)	Tolerances (mm)
Up to 40mm	+0.000 -0.051
45mm to 60mm	+0.000 -0.076
65mm to 100mm	+0.000 -0.102
110mm to 150mm	+0.000 -0.127
Above 150mm	+0.000 -0.152

# Plummer blocks

## Selection

### ISN Plummer blocks with Trident seals

Series	Ø shaft	Fixed bearing		Expansion bearing		Insert Pt #	Description	Sleeve Pt #	Description
		Part no.	Description	Part no.	Description				
507	30mm	<b>071000</b>	P2B507-ISN-030MFR	<b>071017</b>	P2B507-ISN-030MLR	<b>071983</b>	ISN 507-22208 FR	<b>744975</b>	ADPTR-IP-22208-30M
	1-1/8	<b>747900</b>	P2B507-ISN-102 FR	<b>747904</b>	P2B507-ISN-102 LR	<b>071983</b>	ISN 507-22208 FR	<b>069286</b>	ADPTR-IP-22208-102
	1-3/16	<b>747901</b>	P2B507-ISN-103FR	<b>747905</b>	P2B507-ISN-103 LR	<b>071983</b>	ISN 507-22208 FR	<b>069287</b>	ADPTR-IP-22208-103
508	35mm	<b>071001</b>	P2B508-ISN-035MFR	<b>071018</b>	P2B508-ISN-035MLR	<b>071984</b>	ISN 508-22208 FR	<b>744976</b>	ADPTR-IP-22208-35M
	1-1/4	<b>747908</b>	P2B508-ISN-104 FR	<b>747912</b>	P2B508-ISN-104 LR	<b>071984</b>	ISN 508-22208 FR	<b>069288</b>	ADPTR-IP-22208-104
	1-3/8	<b>747909</b>	P2B508-ISN-106 FR	<b>747913</b>	P2B508-ISN-106 LR	<b>071984</b>	ISN 508-22208 FR	<b>069289</b>	ADPTR-IP-22208-106
509	40mm	<b>071002</b>	P2B509-ISN-040MFR	<b>071019</b>	P2B509-ISN-040MLR	<b>071985</b>	ISN 509-22209 FR	<b>744977</b>	ADPTR-IP-22209-40M
	1-7/16	<b>747916</b>	P2B509-ISN-107 FR	<b>747920</b>	P2B509-ISN-107 LR	<b>071985</b>	ISN 509-22209 FR	<b>064153</b>	ADPTR-IP-22209-107
	1-1/2	<b>747917</b>	P2B509-ISN-108 FR	<b>747921</b>	P2B509-ISN-108 LR	<b>071985</b>	ISN 509-22209 FR	<b>064154</b>	ADPTR-IP-22209-108
510	45mm	<b>071003</b>	P2B510-ISN-045MFR	<b>71020</b>	P2B510-ISN-045MLR	<b>071986</b>	ISN 510-22210 FR	<b>744978</b>	ADPTR-IP-22210-45M
	1-11/16	<b>747924</b>	P2B510-ISN-111 FR	<b>747928</b>	P2B510-ISN-111 LR	<b>071986</b>	ISN 510-22210 FR	<b>064155</b>	ADPTR-IP-22210-111
	1-3/4	<b>747925</b>	P2B510-ISN-112 FR	<b>747929</b>	P2B510-ISN-112 LR	<b>071986</b>	ISN 510-22210 FR	<b>064156</b>	ADPTR-IP-22210-112
511	50mm	<b>071004</b>	P2B511-ISN-050MFR	<b>071021</b>	P2B511-ISN-050MLR	<b>071987</b>	ISN 511-22210 FR	<b>744979</b>	ADPTR-IP-22210-50M
	1-15/16	<b>747932</b>	P2B511-ISN-115 FR	<b>747936</b>	P2B511-ISN-115 LR	<b>071987</b>	ISN 511-22210 FR	<b>069296</b>	ADPTR-IP-22210-115
	2	<b>747933</b>	P2B511-ISN-200 FR	<b>747937</b>	P2B511-ISN-200 LR	<b>071987</b>	ISN 511-22210 FR	<b>069297</b>	ADPTR-IP-22210-200
512	55mm	<b>071005</b>	P2B512-ISN-055MFR	<b>071022</b>	P2B512-ISN-055MLR	<b>071988</b>	ISN 512-22211 FR	<b>744980</b>	ADPTR-IP-22211-055M
	2-1/8	<b>748012</b>	P2B512-ISN-202 FR	<b>748013</b>	P2B512-ISN-202 LR	<b>071988</b>	ISN 512-22211FR	<b>064157</b>	ADPTR-IP-22211-202
	2-3/16	<b>747940</b>	P2B513-ISN-203 FR	<b>747944</b>	P2B513-ISN-203 LR	<b>071989</b>	ISN 513-22213 FR	<b>744981</b>	ADPTR-IP-22213-60M
513	60mm	<b>071006</b>	P2B513-ISN-060MFR	<b>071023</b>	P2B513-ISN-060MLR	<b>071989</b>	ISN 513-22213 FR	<b>744981</b>	ADPTR-IP-22213-60M
	2-3/16	<b>747940</b>	P2B513-ISN-203 FR	<b>747944</b>	P2B513-ISN-203 LR	<b>071989</b>	ISN 513-22213 FR	<b>064070</b>	ADPTR-IP-22213-203
	2-1/4	<b>747941</b>	P2B513-ISN-204 FR	<b>747945</b>	P2B513-ISN-204 LR	<b>071989</b>	ISN 513-22213 FR	<b>064071</b>	ADPTR-IP-22213-204
515	65mm	<b>071007</b>	P2B515-ISN-065MFR	<b>71024</b>	P2B515-ISN-065MLR	<b>071990</b>	ISN 515-22215 FR	<b>744982</b>	ADPTR-IP-22215-65M
	2-7/16	<b>747948</b>	P2B515-ISN-207 FR	<b>747952</b>	P2B515-ISN-207 LR	<b>071990</b>	ISN 515-22215 FR	<b>064072</b>	ADPTR-IP-22215-207
	2-1/2	<b>747949</b>	P2B515-ISN-208 FR	<b>747953</b>	P2B515-ISN-208 LR	<b>071990</b>	ISN 515-22215 FR	<b>064073</b>	ADPTR-IP-22215-208
516	70mm	<b>071008</b>	P2B516-ISN-070MFR	<b>071025</b>	P2B516-ISN-070MLR	<b>071991</b>	ISN 516/517-22215 FR	<b>744983</b>	ADPTR-IP-22215-70M
	2-11/16	<b>747956</b>	P2B516-ISN-211 FR	<b>747960</b>	P2B516-ISN-211 LR	<b>071991</b>	ISN 516/517-22215 FR	<b>069303</b>	ADPTR-IP-22215-211
	2-3/4	<b>747957</b>	P2B516-ISN-212 FR	<b>747961</b>	P2B516-ISN-212 LR	<b>071991</b>	ISN 516/517-22215 FR	<b>069304</b>	ADPTR-IP-22215-212
517	75mm	<b>071009</b>	P2B517-ISN-075MFR	<b>71026</b>	P2B517-ISN-075MLR	<b>071991</b>	ISN 516/517-22215 FR	<b>744984</b>	ADPTR-IP-22215-75MM
	2-15/16	<b>747964</b>	P2B517-ISN-215 FR	<b>747968</b>	P2B517-ISN-215 LR	<b>071991</b>	ISN 516/517-22215 FR	<b>069305</b>	ADPTR-IP-22215-215
	3	<b>747965</b>	P2B517-ISN-300 FR	<b>747969</b>	P2B517-ISN-300 LR	<b>071991</b>	ISN 516/517-22215 FR	<b>069306</b>	ADPTR-IP-22215-300
518	80mm	<b>071010</b>	P2B518-ISN-080MFR	<b>071027</b>	P2B518-ISN-080MLR	<b>071992</b>	ISN 518-22218 FR	<b>744985</b>	ADPTR-IP-22218-80M
	3-3/16	<b>747972</b>	P2B518-ISN-303 FR	<b>747976</b>	P2B518-ISN-303 LR	<b>071992</b>	ISN 518-22218 FR	<b>069307</b>	ADPTR-IP-22218-303
	3-1/4	<b>747973</b>	P2B518-ISN-304 FR	<b>747977</b>	P2B518-ISN-304 LR	<b>071992</b>	ISN 518-22218 FR	<b>069308</b>	ADPTR-IP-304
519	85mm	<b>071011</b>	P2B519-ISN-085MFR	<b>071028</b>	P2B519-ISN-085MLR	<b>071993</b>	ISN 519-22218 FR	<b>744986</b>	ADPTR-IP-22218-85M
520	90mm	<b>071012</b>	P2B520-ISN-090MFR	<b>071029</b>	P2B520-ISN-090MLR	<b>071994</b>	ISN 520-22220 FR	<b>744987</b>	ADPTR-IP-22220-090MM
	3-7/16	<b>747980</b>	P2B520-ISN-307 FR	<b>747984</b>	P2B520-ISN-307 LR	<b>071994</b>	ISN 520-22220 FR	<b>064074</b>	ADPTR-IP-22220-307
	3-1/2	<b>747981</b>	P2B520-ISN-308 FR	<b>747985</b>	P2B520-ISN-308 LR	<b>071994</b>	ISN 520-22220 FR	<b>064075</b>	ADPTR-IP-22220-308
522	100mm	<b>071013</b>	P2B522-ISN-100MFR	<b>071030</b>	P2B522-ISN-100MLR	<b>071995</b>	ISN 522-22220 FR	<b>744988</b>	ADPTR-IP-22220-100MM
	3-15/16	<b>747988</b>	P2B522-ISN-315 FR	<b>747992</b>	P2B522-ISN-315 LR	<b>071995</b>	ISN 522-22220 FR	<b>069312</b>	ADPTR-IP-22220-315
	4	<b>747989</b>	P2B522-ISN-400 FR	<b>747993</b>	P2B522-ISN-400 LR	<b>071995</b>	ISN 522-22220 FR	<b>069313</b>	ADPTR-IP-22220-400
524	110mm	<b>071014</b>	P2B524-ISN-110MFR	<b>071031</b>	P2B524-ISN-110MLR	<b>071996</b>	ISN 524-22222 FR	<b>744989</b>	ADPTR-IP-22222-110MM
526	115mm	<b>071015</b>	P2B526-ISN-115MFR	<b>071032</b>	P2B526-ISN-115MLR	<b>071997</b>	ISN 526-22226 FR	<b>744990</b>	ADPTR-IP-22226-115MM
	4-7/16	<b>747996</b>	P2B526-ISN-407 FR	<b>748000</b>	P2B526-ISN-407 LR	<b>071997</b>	ISN 526-22226 FR	<b>064076</b>	ADPTR-IP-22226-407
	4-1/2	<b>747997</b>	P2B526-ISN-408 FR	<b>748001</b>	P2B526-ISN-408 LR	<b>071997</b>	ISN 526-22226 FR	<b>064077</b>	ADPTR-IP-22226-408
528	125mm	<b>071016</b>	P2B528-ISN-125MFR	<b>071033</b>	P2B528-ISN-125MLR	<b>071998</b>	ISN 528-22226 FR	<b>744991</b>	ADPTR-IP-22226-125MM
	4-15/16	<b>748004</b>	P2B528-ISN-415 FR	<b>748008</b>	P2B528-ISN-415 LR	<b>071998</b>	ISN 528-22226 FR	<b>069316</b>	ADPTR-IP-22226-415
	5	<b>748005</b>	P2B528-ISN-500 FR	<b>748009</b>	P2B528-ISN-500 LR	<b>071998</b>	ISN 528-22226 FR	<b>069317</b>	ADPTR-IP-22226-500
530	135mm	<b>071102</b>	P2B530-ISN-135MFR	<b>071103</b>	P2B530-ISN-135MLR	<b>071116</b>	ISN-IP-530-135MR	<b>071114</b>	ADPTR-IP-22228-135M
532	140mm	<b>071106</b>	P2B532-ISN-140MFR	<b>071107</b>	P2B532-ISN-140MLR	<b>071118</b>	ISN-IP-532-140MR	<b>071115</b>	ADPTR-IP-22230-140M
534	150mm	<b>078822</b>	P4B534-ISN-150MFR	<b>078823</b>	P4B534-ISN-150MLR	<b>062254</b>	ISN-IP-150MR	<b>062255</b>	ADPTR-IP-22232-150M
536	160mm	<b>078824</b>	P4B536-ISN-160MFR	<b>078825</b>	P4B536-ISN-160MLR	<b>078138</b>	ISN-IP-160MR	<b>074615</b>	ADPTR-IP-22236-160M
538	170mm	<b>078826</b>	P4B538-ISN-170MFR	<b>078827</b>	P4B538-ISN-170MLR	<b>079881</b>	ISN-IP-170MR	<b>062271</b>	ADPTR-IP-22236-170M

F = Non-expansion, L = Expansion, R = Trident rubbing seal; S = Labyrinth seal

Unless specified, dimensions are in mm for metric parts and inches for non-metric parts.

Note: Dimensions are in MM (in)

# Plummer blocks

## Selection

### ISN plummer blocks with Labyrinth seals

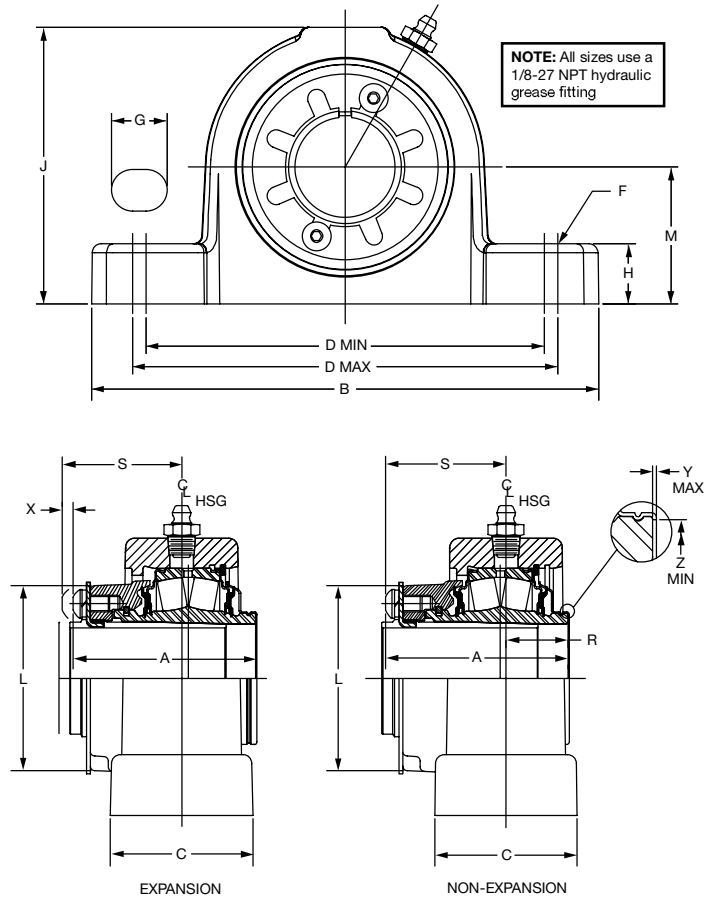
30 through 140mm, 2-bolt					
Series	Ø shaft	Part no.	Fixed bearing description	Part no.	Exp. bearing description
507	30mm	<b>071034</b>	P2B507-ISN-030MFS	<b>071051</b>	P2B507-ISN-030MLS
508	35mm	<b>071035</b>	P2B508-ISN-035MFS	<b>071052</b>	P2B508-ISN-035MLS
509	40mm	<b>071036</b>	P2B509-ISN-040MFS	<b>070053</b>	P2B509-ISN-040MLS
	1-1/2.	<b>075154</b>	P2B509-ISN-108 FS		
510	45mm	<b>071037</b>	P2B510-ISN-045MFS	<b>071054</b>	P2B510-ISN-045MLS
511	50mm	<b>071038</b>	P2B511-ISN-050MFS	<b>071055</b>	P2B511-ISN-050MLS
512	55mm	<b>071039</b>	P2B512-ISN-055MFS	<b>071056</b>	P2B512-ISN-055MLS
513	60mm	<b>071040</b>	P2B513-ISN-060MFS	<b>071057</b>	P2B513-ISN-060MLS
	2-3/16	<b>077481</b>	P2B513-ISN-203 FS		
	2-1/2			<b>076670</b>	P2B513-ISN-208-LS
515	65mm	<b>071041</b>	P2B515-ISN-065MFS	<b>071058</b>	P2B515-ISN-065MLS
	2-1/2	<b>074989</b>	P2B515-ISN-208 FS		
516	70mm	<b>071042</b>	P2B516-ISN-070MFS	<b>071059</b>	P2B516-ISN-070MLS
517	75mm	<b>071043</b>	P2B517-ISN-075MFS	<b>071060</b>	P2B517-ISN-075MLS
518	80mm	<b>071044</b>	P2B518-ISN-080MFS	<b>071061</b>	P2B518-ISN-080MLS
519	85mm	<b>071045</b>	P2B519-ISN-085MFS	<b>071062</b>	P2B519-ISN-085MLS
520	90mm	<b>071046</b>	P2B520-ISN-090MFS	<b>071063</b>	P2B520-ISN-090MLS
522	100mm	<b>071047</b>	P2B522-ISN-100MFS	<b>071064</b>	P2B522-ISN-100MLS
524	110mm	<b>071048</b>	P2B524-ISN-110MFS	<b>071065</b>	P2B524-ISN-110MLS
526	115mm	<b>071049</b>	P2B526-ISN-115MFS	<b>071066</b>	P2B526-ISN-115MLS
528	125mm	<b>071050</b>	P2B528-ISN-125MFS	<b>071067</b>	P2B528-ISN-125MLS
530	135mm	<b>071104</b>	P2B530-ISN-135MFS	<b>071105</b>	P2B530-ISN-135MLS
532	140mm	<b>071108</b>	P2B532-ISN-140MFS	<b>071109</b>	P2B532-ISN-140MLS

Unless specified, dimensions are in mm for metric parts and inches for non-metric parts.  
Note: Dimensions are in MM (in)

# Plummer blocks

## Dimensions

### ISN plummer block dimensions



Series	Shaft size mm	A	B	C	D		E*	F bolt dia	G	H	J	L	M	R	S	X total exp.
					Min	Max										
507	30	66.7	184.9	52.0	145.0	155.0		M12	20.0	22.0	100.9	67.6	50.0	22.6	44.1	4.0
508	35	66.7	205.9	60.2	150.0	174.6		M12	27.3	25.0	110.8	67.6	60.0	22.6	44.1	4.0
509	40	71.4	206.3	60.2	155.0	174.6		M12	24.8	25.0	114.0	74.7	60.0	20.6	50.8	6.5
510	45	72.6	204.9	60.2	160.0	175.0		M12	22.5	25.0	113.8	81.0	60.0	21.18	50.8	6.5
511	50	72.6	253.9	70.2	190.0	215.9		M16	31.0	28.0	124.5	81.0	70.0	21.8	50.8	6.5
512	55	77.0	253.9	69.9	190.0	216.0		M16	31.0	30.0	130.3	87.1	70.0	23.0	54.0	7.0
513	60	86.9	274.9	80.2	205.0	235.0		M16	33.0	30.0	152.4	96.5	80.0	30.6	56.3	7.0
515	65	88.9	280.1	80.1	215.0	236.0		M16	28.5	30.0	156.0	106.7	80.0	31.4	57.5	7.0
516	70	88.9	315.9	90.2	244.5	268.3		M20	34.1	32.0	176.0	106.7	95.0	31.4	57.5	7.0
517	75	88.9	315.9	90.2	244.5	268.3		M20	34.1	32.0	176.0	106.7	95.0	31.4	57.5	7.0
518	80	106.0	345.3	100.3	270.0	293.7		M20	34.0	35.0	196.7	124.7	100.0	37.7	68.3	7.0
519	85	106.0	345.0	100.2	264.2	296.1		M20	37.9	35.0	205.2	124.7	112.0	37.7	68.3	7.0
520	90	120.0	379.8	110.2	292.8	327.0		M24	43.1	40.0	218.3	138.7	112.0	41.7	77.8	8.0
522	100	120.0	410.0	120.0	314.4	356.0		M24	46.8	45.0	239.0	138.7	125.0	41.7	77.8	8.0
524	110	133.0	410.0	120.0	314.5	356.0		M24	46.8	45.0	260.7	161.3	140.0	44.5	88.5	10.0
526	115	152.0	444.8	130.0	359.6	387.0		M24	41.7	50.0	292.8	191.8	150.0	48.4	103.6	10.0
528	125	152.0	500.0	150.2	400.0	427.0		M30	48.5	50.0	290.4	191.8	150.0	48.4	103.6	10.0
530	135	156.8	539.8	159.8	443.0	457.0		M30	42.0	60.0	312.5	222.2	160.0	51.8	105.0	16.3
532	140	179.8	560.0	160.0	463.0	477.0		M30	42.0	60.0	345.3	260.4	170.0	62.4	117.4	16.8
534	150	178.8	510.0	180.0	424.0	436.0	100.0	M24	34.0	70.0	344.0	260.4	170.0	62.1	117.7	16.8
536	160	191.8	530.0	190.0	444.0	456.0	110.0	M24	34.0	75.0	366.0	289.3	180.0	65.0	126.8	17.0
538	170	191.8	560.0	210.0	474.0	486.0	120.0	M24	34.0	80.0	385.0	289.3	190.0	65.0	126.8	17.0

\*Applies to four bolt pillow block (serie 534, 536, 538) only.

Unless specified, dimensions are in mm for metric parts and inches for non-metric parts.

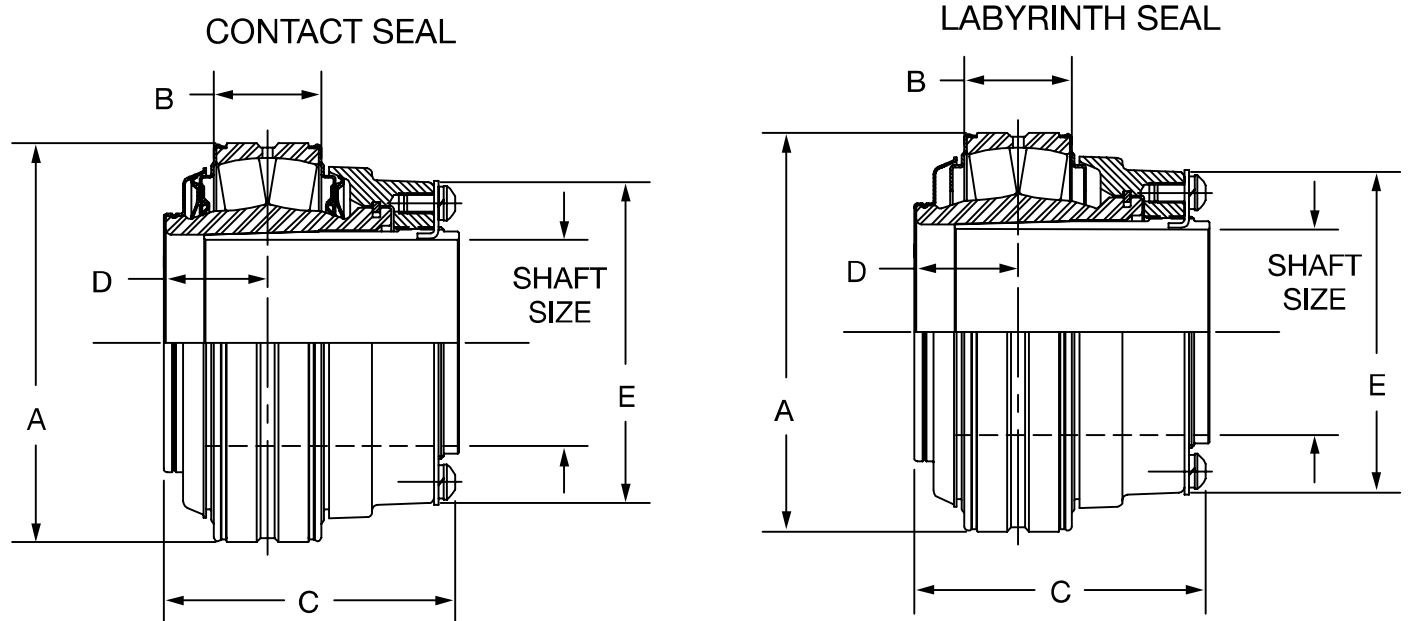
Note: Dimensions are in MM (in)

# Plummer blocks

## Dimensions

ISN bearing inserts

Metric sizes 30-170 mm



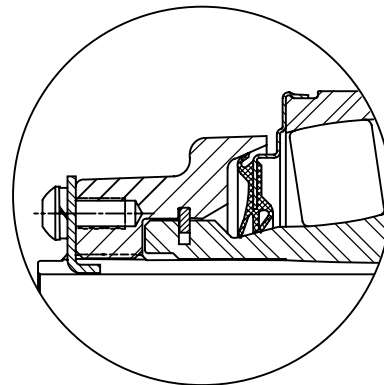
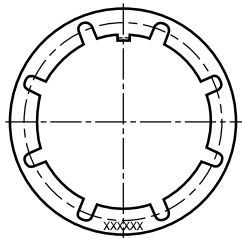
Shaft Size mm	Contact seal		Labyrinth seal		Dimensions in mm				
	Part number	Description	Part number	Description	A	B	C	D	E
30	071068	INS-ISN-30MR	071085	INS-ISN-30MS	80.0	24.0	66.7	24.6	67.6
35	071069	INS-ISN-35MR	071086	INS-ISN-35MS					
40	071070	INS-ISN-40MR	071087	INS-ISN-40MS	85.0	24.0	71.4	24.2	74.7
45	071071	INS-ISN-45MR	071088	INS-ISN-45MS					
50	071072	INS-ISN-50MR	071089	INS-ISN-50MS	90.0	24.0	72.6	24.8	81.0
55	071073	INS-ISN-55MR	071090	INS-ISN-55MS	100.0	26.3	77.0	26.7	87.1
60	071074	INS-ISN-60MR	071091	INS-ISN-60MS	120.0	32.3	86.9	30.7	96.5
65	071075	INS-ISN-65MR	071092	INS-ISN-65MS					
70	071076	INS-ISN-70MR	071093	INS-ISN-70MS	130.0	32.3	88.9	31.0	106.7
75	071077	INS-ISN-75MR	071094	INS-ISN-75MS					
80	071078	INS-ISN-80MR	071095	INS-ISN-80MS	160.0	41.3	106.3	37.7	124.7
85	071079	INS-ISN-85MR	071096	INS-ISN-85MS					
90	071080	INS-ISN-90MR	071097	INS-ISN-90MS	180.0	47.3	120.0	41.8	138.7
100	071081	INS-ISN-100MR	071098	INS-ISN-100MS					
110	071082	INS-ISN-110MR	071099	INS-ISN-110MS	200.0	54.8	133.0	49.1	161.3
115	071083	INS-ISN-115MR	071100	INS-ISN-115MS					
125	071084	INS-ISN-125MR	071101	INS-ISN-125MS	230.0	65.8	152.0	53.5	191.8
135	071116	INS-ISN-135MR	071117	INS-ISN-135MS	250.0	69.9	156.8	59.4	222.2
140	071118	INS-ISN-140MR	071119	INS-ISN-140MS					
150	079991	INS-ISN-150MR	—	—	290.0	81.8	179.8	70.3	260.4
160	079992	INS-ISN-160MR	—	—					
170	079993	INS-ISN-170MR	—	—	320.0	88.1	187.7	72.7	289.7

# Plummer blocks

## Dimensions

### ISN lockplate kits

Size	Part no.
30	048925
35	048925
40	048926
45	048927
50	048927
55	048928
60	048929
65	048930
70	048930
75	048930
80	048931
85	048931
90	048932
100	048932
110	048933
115	048934
125	048934
135	079882
140	079883
150	079883
160	079884
170	079884

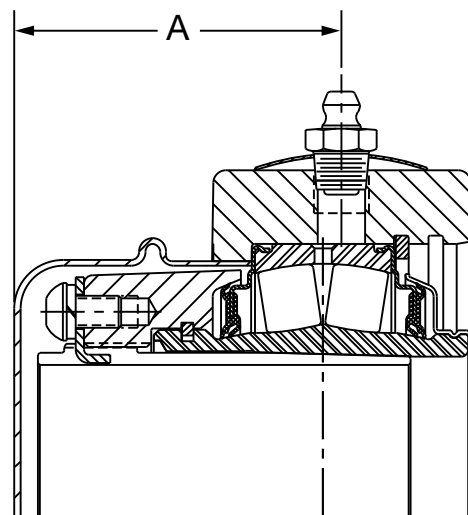


**Kit consists of:**

- 1 Lockplate
- 2 Socket head cap screws
- 2 Lockwashers

### ISN end cover

Housing series	Bore size	Front side closed cover		Front side open cover		Back side open cover		A
		Part no.	Description	Part no.	Description	Part no.	Description	
507	30	069960	IPEC08	070251	IPEC0-08-30mm	070620	IPBECO-08-30mm	51.0
508	35	069960	IPEC08	070252	IPEC0-08-35mm	070621	IPBECO-08-35mm	51.0
509	40	069961	IPEC09	070253	IPEC0-09-40mm	070622	IPBECO-09-40mm	55.0
510	45	069962	IPEC10	070254	IPEC0-10-45mm	070623	IPBECO-10-45mm	59.0
511	50	069962	IPEC10	070255	IPEC0-10-50mm	070624	IPBECO-10-50mm	59.0
512	55	069963	IPEC11	070256	IPEC0-11-55mm	070625	IPBECO-11-55mm	62.0
513	60	069964	IPEC13	070257	IPEC0-13-60mm	070626	IPBECO-13-60mm	67.0
515	65	069965	IPEC15	070258	IPEC0-15-65mm	070627	IPBECO-15-65mm	75.0
516	70	069965	IPEC15	070259	IPEC0-15-70mm	070628	IPBECO-15-70mm	75.0
517	75	069965	IPEC15	070260	IPEC0-15-75mm	070629	IPBECO-15-75mm	75.0
518	80	069966	S21PEC18	070261	IPEC0-18-80mm	070630	IPBECO-18-80mm	79.0
519	85	069966	S21PEC18	070262	IPEC0-18-85mm	070631	IPBECO-18-85mm	79.0
520	90	069967	S21PEC20	070263	IPEC0-20-90mm	070632	IPBECO-20-90mm	90.0
522	100	069967	S21PEC20	070264	IPEC0-20-100mm	070633	IPBECO-20-100mm	90.0
524	110	069968	S21PEC22	070265	IPEC0-22-110mm	070634	IPBECO-22-110mm	100.0
526	115	069969	S21PEC26	070266	IPEC0-26-115mm	070635	IPBECO-26-115mm	112.0
528	125	069969	S21PEC26	070267	IPEC0-26-125mm	070636	IPBECO-26-125mm	112.0
530	135	069983	IPEC28	TBD				122.0
532	140	069984	IPEC32	TBD				135.0
534	150	069984	IPEC32	TBD				135.0
536	160	069985	IPEC36	TBD				143.0
538	170	069985	IPEC36	TBD				143.0



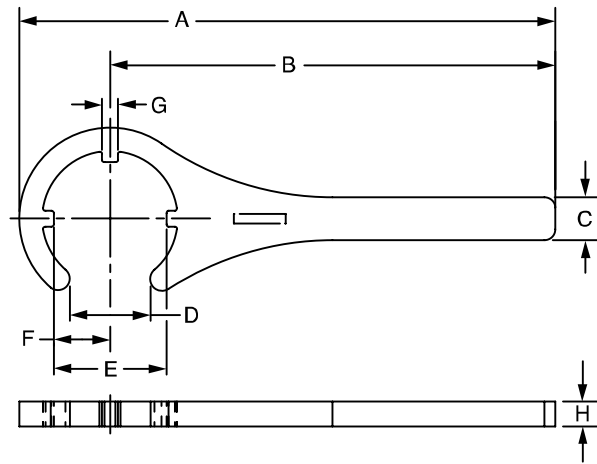
**Plummer Block**

Unless specified, dimensions are in mm for metric parts and inches for non-metric parts.  
Note: Dimensions are in MM (in)

# Plummer blocks

## Dimensions

### ISN spanner



#### Dimensions mm/inch

Shaft size		Part no.	A	B	C	D	E	F	G	H
mm	Inch									
30 thru 35	1-1/8 thru 1-1/2	<b>066629</b>	10.84 275.3	9.00 228.6	0.88 22.4	1.63 41.4	2.28 57.9	1.14 29.0	0.32 8.1	0.50 12.7
40	1-5/8 thru 1-3/4	<b>066630</b>	11.04 280.4	9.00 228.6	0.88 22.4	1.88 47.8	2.48 63.0	1.24 31.5	0.32 8.1	0.50 12.7
45 thru 50	1-7/8 thru 2	<b>066631</b>	11.20 284.5	9.00 228.6	0.88 22.4	2.13 54.1	2.73 69.2	1.36 34.5	0.32 8.1	0.50 12.7
55	2-1/8	<b>066632</b>	12.38 314.5	10.00 254.0	0.88 22.4	2.38 60.5	2.98 75.7	1.49 37.8	0.44 11.2	0.50 12.7
60	2-3/16 thru 2-1/4	<b>066633</b>	12.63 320.8	10.00 254.0	1.31 33.3	2.63 66.8	3.40 86.4	1.70 43.2	0.44 11.2	0.50 12.7
60 70 75	2-7/16 thru 3	<b>066634</b>	16.90 429.3	14.00 355.6	1.31 33.3	3.13 79.5	3.80 96.5	1.90 48.3	0.44 11.2	0.50 12.7
<b>80</b> thru 85	3-3/16 thru 3-1/4	<b>066635</b>	17.39 441.7	14.00 355.6	1.31 33.3	3.63 92.2	4.36 110.7	2.18 55.4	0.44 11.2	0.50 12.7
90 thru 100	3-7/16 thru 4	<b>066636</b>	17.75 450.9	14.00 355.6	1.75 44.5	4.13 104.9	4.91 124.7	2.46 62.5	0.44 11.2	0.50 12.7
110		<b>066637</b>	20.36 517.1	16.00 406.4	1.75 44.5	4.63 117.6	5.68 144.3	2.84 72.1	0.44 11.2	0.50 12.7
115 thru 125	4-7/16 thru 5	<b>066638</b>	25.17 639.3	20.00 508.0	2.00 50.8	5.13 130.3	6.88 174.8	3.44 87.4	0.44 11.2	0.50 12.7
135	5-7/16 thru 5-1/2	<b>066642</b>	27.82 706.6	22.00 558.8	2.00 50.8	5.63 143.0	8.05 204.5	4.03 102.4	0.69 4.8	0.50 12.7
140 thru 150	5-15/16 thru 6	<b>066643</b>	28.75 730.3	22.00 558.8	2.00 50.8	6.13 155.7	9.13 231.9	4.57 116.1	0.75 19.1	0.50 12.7
160 thru 170	6-7/16 thru 7	<b>066644</b>	31.54 801.1	24.00 609.6	2.00 50.8	7.13 181.1	10.08 256.0	5.04 128.0	0.75 19.1	0.50 12.7

Unless specified, dimensions are in mm for metric parts and inches for non-metric parts.  
Note: Dimensions are in MM (in)